

QPD2-10-500-K1-S

2-Way, 0.01~0.5GHz

Features:

- * Small Size
- * Low Insertion Loss

Applications:

- * Amplifiers
- * Mixers
- * Antennas
- * Laboratory Test

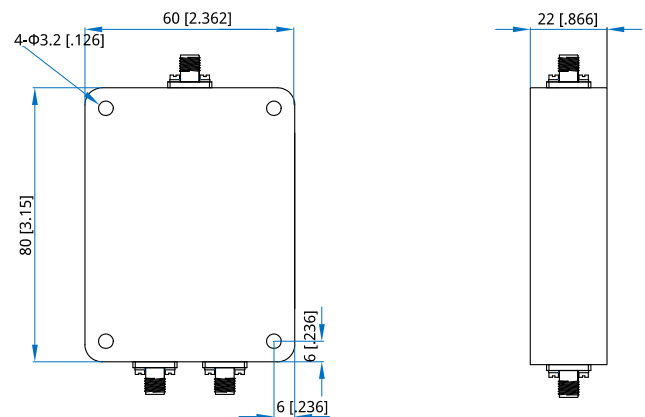
Electrical

Frequency:	0.01~0.5GHz
Insertion Loss:	0.9dB max.
VSWR:	1.6 max.
Isolation:	15dB min.
Amplitude Balance:	0.2dB max.
Phase Balance:	5° max.
Average Power:	100W

Mechanical

Size*1:	60*80*22mm 2.362*3.15*0.866in
Connectors:	SMA Female
Mounting:	4-Φ3.2mm through-hole

[1] Exclude connectors.

Outline Drawings


Unit: mm [in]

Tolerance: ±0.5mm [±0.02in]

How To Order

QPD2-10-500-K1-S

Customization is available upon request.